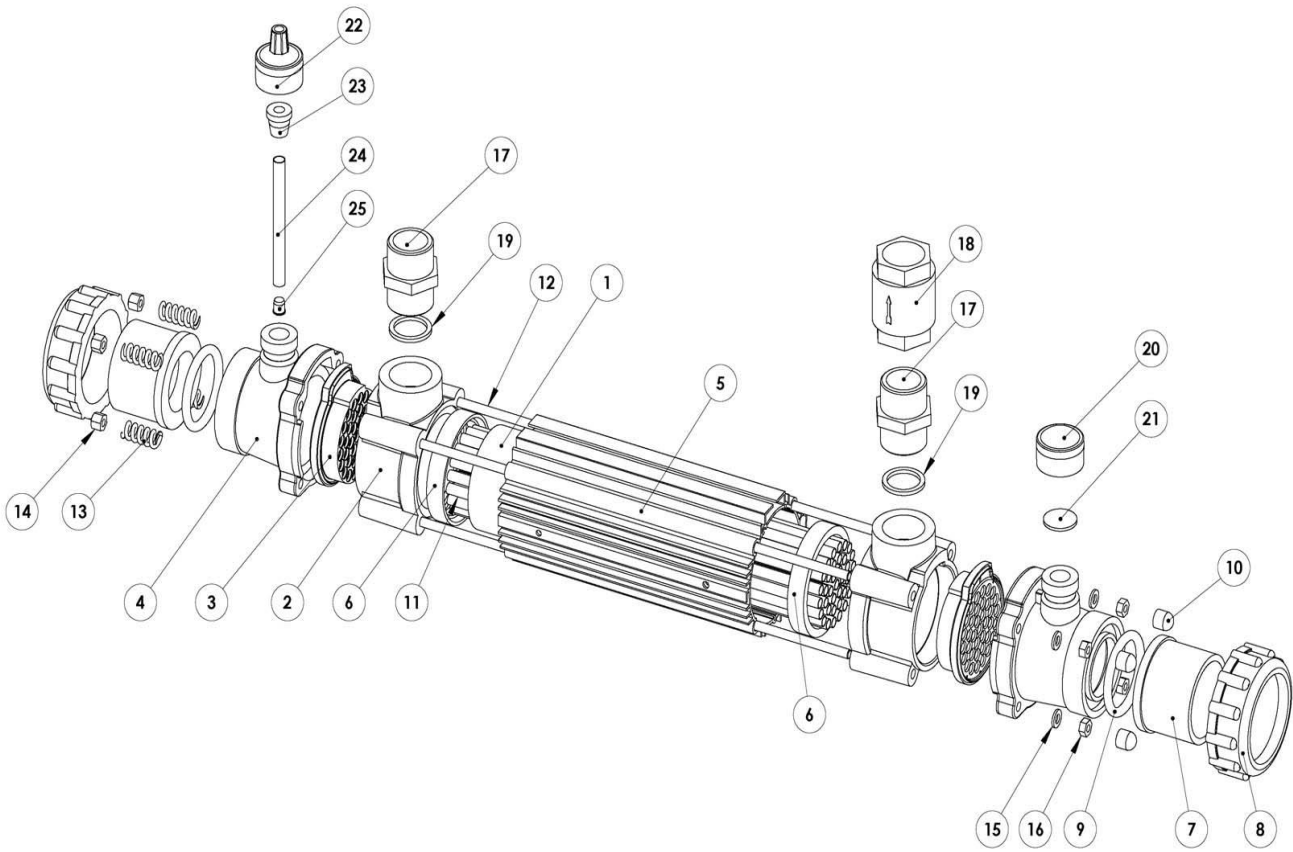


G2 Heat Exchanger

SPARE PART LISTS



G2 Heat Exchanger



Item No.:	Description:	Pcs/Unit:	Item Code				GBP RRP (£)			
			G2-HE-30T	G2-HE-49T	G2-HE-85T	G2-HE-122T	G2-HE-30T	G2-HE-49T	G2-HE-85T	G2-HE-122T
1	Flow Tube	1	X-TUB-G2HE-200	X-TUB-G2HE-370	X-TUB-G2HE-500	X-TUB-G2HE-660	74.00	82.50	111.25	125.00
2	Primary Connection Coupling	2	Z-IM-HE-PC				24.50			
3	Tube Sheet	2	Z-IM-HE-TS				15.00			
4	Secondary Connection Coupling	2	Z-IM-HE-SC				24.50			
5	G2 Insulating Shell	1	Z-SMW-HE-S-25	Z-SMW-HE-S-40	Z-SMW-HE-S-70	Z-SMW-HE-S-100	17.15	23.80	30.00	36.40
6	HNBR Flow Tube Gasket	2	SP-HE-GSK				29.00			
7	Union Insert 1.5" / 50-mm	2	SP-119-HE				16.00			
8	2.25" Union Locking Nut Union O-Ring									
9	Union O-Ring	2	SP-119-ORS				3.75			
10	M6 Black Nut Cover	4	Z-HEC-TPC				1.25			
11	7-mm OD Titanium Tubes	37	Z-TUB-Ti7-J300	Z-TUB-Ti7-J370	Z-TUB-Ti7-J600	Z-TUB-Ti7-J760	7.75	12.00	15.25	18.25
12	M6 Tie Bar	4	Z-STU-368	Z-STU-538	Z-STU-668	Z-STU-828	8.00	10.00	11.00	12.00
13	Tension Spring	4	Z-HEC-SPRING				4.00			
14	M6 Cap Nut	4	Z-FIX-M6CAP				5.25			
15	M6 Flat Washer	4	Z-FIX-M6FW				5.25			
16	M6 Hex Nut	4	Z-FIX-M6HEX				5.25			
17	1" BSP Male / Male Brass Primary Nipple Connection	2	Z-HEC-1BSPMM				10.25			
18	1" BSP female / female Brass 1-Way Non-Return Valve	1	Z-HEC-1BSPPOVV				18.50			
19	EPDM Primary Nipple Gasket Seal	2	Z-IM-HE-NS				2.00			
20	Blanking Cap	1	Z-IM-HE-BC				6.50			
21	24-mm Coin Gasket Seal	1	Z-HEC-CG				1.50			
22	Thermostat Connection Cap	1	Z-IM-HE-SPC				11.00			
23	EPDM Thermostat Pocket Ferrule	1	Z-IM-EL-FER				7.50			
24	8.5-mm OD Titanium Thermostat Pocket	1	Z-TUB-Ti8.5-90				7.50			
25	EPDM Thermostat Pocket Seal	1	Z-IM-GSK-BUNG				3.50			

Item No.:	Description:	Pcs/Unit:	G2-HE-30T	G2-HE-49T	G2-HE-85T	G2-HE-122T	EUR RRP (€)			
							G2-HE-30T	G2-HE-49T	G2-HE-85T	G2-HE-122T
1	Flow Tube	1	X-TUB-G2HE-200	X-TUB-G2HE-370	X-TUB-G2HE-500	X-TUB-G2HE-660	82.88	92.40	124.60	140.00
2	Primary Connection Coupling	2	Z-IM-HE-PC				27.44			
3	Tube Sheet	2	Z-IM-HE-TS				16.80			
4	Secondary Connection Coupling	2	Z-IM-HE-SC				27.44			
5	G2 Insulating Shell	1	Z-SMW-HE-S-25	Z-SMW-HE-S-40	Z-SMW-HE-S-70	Z-SMW-HE-S-100	19.21	26.66	33.60	40.77
6	HNBR Flow Tube Gasket	2	SP-HE-GSK				32.48			
7	Union Insert 1.5" / 50-mm	2	SP-119-HE				17.92			
8	2.25" Union Locking Nut Union O-Ring									
9	Union O-Ring	2	SP-119-ORS				4.20			
10	M6 Black Nut Cover	4	Z-HEC-TPC				1.40			
11	7-mm OD Titanium Tubes	37	Z-TUB-Ti7-J300	Z-TUB-Ti7-J370	Z-TUB-Ti7-J600	Z-TUB-Ti7-J760	7.75	12.00	15.25	18.25
12	M6 Tie Bar	4	Z-STU-368	Z-STU-538	Z-STU-668	Z-STU-828	8.96	11.20	12.32	13.44
13	Tension Spring	4	Z-HEC-SPRING				4.48			
14	M6 Cap Nut	4	Z-FIX-M6CAP				5.88			
15	M6 Flat Washer	4	Z-FIX-M6FW				5.88			
16	M6 Hex Nut	4	Z-FIX-M6HEX				5.88			
17	1" BSP Male / Male Brass Primary Nipple Connection	2	Z-HEC-1BSPMM				11.48			
18	1" BSP female / female Brass 1-Way Non-Return Valve	1	Z-HEC-1BSPPOVV				20.72			
19	EPDM Primary Nipple Gasket Seal	2	Z-IM-HE-NS				2.24			
20	Blanking Cap	1	Z-IM-HE-BC				7.28			
21	24-mm Coin Gasket Seal	1	Z-HEC-CG				1.68			
22	Thermostat Connection Cap	1	Z-IM-HE-SPC				12.32			
23	EPDM Thermostat Pocket Ferrule	1	Z-IM-EL-FER				8.40			
24	8.5-mm OD Titanium Thermostat Pocket	1	Z-TUB-Ti8.5-90				8.40			
25	EPDM Thermostat Pocket Seal	1	Z-IM-GSK-BUNG				3.92			



ELECR0
ENGINEERING

Improving pools *globally*

11 Gunnels Wood Park, Gunnels Wood Road,
Stevenage, Hertfordshire, SG1 2BH, UK

Tel: +44 1438 749 474
Email: sales@elecro.co.uk
Web: www.elecro.co.uk



We reserve the right to change all or part of the features of the articles
or contents of this document, without prior notice.

SPL46-EN-G2 Spare Parts List V1-01.01.2020-Elecro